

ALPHA WASH EASY 1200 SV

Alpha Wash Easy 1200 is a very bright and simple 1200W washlight with the quality typical of the Alpha line. It is an excellent product for applications that need a strong contribution of light but, at the same time, that require costs to be contained.

Alpha Wash Easy 1200 offers CMY Color Mixing, Linear CTO, Ovalizer, Dimmer, Stop/Strobe, 2 Frost filters and an optional Diffusion filter, with max. aperture of 70°, to be inserted inside the projector. Simple yet packed with features, Alpha Wash Easy 1200 is the most competitive product in its market category.



PROFESSIONAL SHOW LIGHTING

Product features

Lamp

- HTI 1200 W/D7/75 (7,500 K) Osram lamp.
- Cap: SFC 10-4.
 - Luminous Flux: 110,000 lm.
 - Average life: 750 h.
 - Hot Restrike.

The following lamps are available

- L10083** MSR 1200 W/SA DE GOLD (6.000 K) Philips lamp.
L10055 HTI 1200 W/D7/60 (6.000 K) Osram lamp.
L10082 HTI 1200 W/D7/75 (7.500 K) Osram lamp.

Optics

- Optical unit with optimal luminous efficiency.
- 3-step beam angle (11°; 20°; 30°).
- Fresnel Lens: Ø 200 mm, focal length 250 mm.

Colors and Effects

- CMY Color Mixing.
- Linear CTO.
- 2 frost filters (20° and 30°).
- Optional Ø 200 mm Diffusion Filter, with max aperture 70°, to be inserted inside the fixture.
- Indexable Ovalizer.
- Dimmer 0-100% on a dedicated channel.
- Stop/strobe effect.

Linear CTO



CMY



Electronics and other features

- Long life self-charging buffer battery.
- Pre-set macros.
- "ENERGY SAVING" function: with the stop or total dimmer effect on, or with all the CMY filters full (black), consumption cut by 50%.
- ON/OFF lamp control from the lighting desk.
- Function reset from the lighting desk.
- "HELP" function in the menu.
- "MEMO" function.
- "AUTOTEST" function.
- Possibility to upgrade the software through the DMX 512 input.
- Ethernet connection.
- Electronic check up on each parameter.
- DMX level monitoring on each channel.
- Feedback information for each sensor and encoder.
- Electronic repositioning of the effects.

Technical data

Power supplies

- 220-240 V, 50 Hz
- 200-220 V, 60 Hz

Ballast

Magnetic Ballast.

Input Power

1,550 VA at 230V 50Hz (with PFC).

Input: DMX 512.

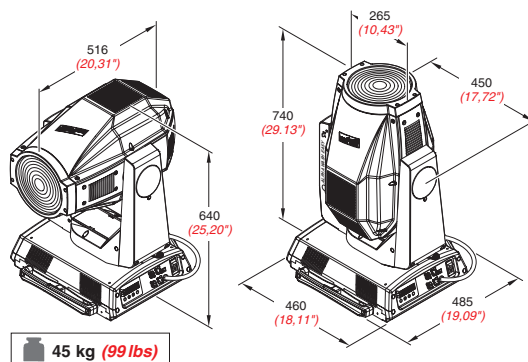
Body

- Aluminium structure with die-cast plastic cover.
- Two side handles for transportation.

Moving body

- Angle: - PAN = 450° - TILT = 252°
- Maximum speeds:
 - PAN = 4.0 sec. (360°) - TILT = 3.2 sec. (252°)
- Resolution:
 - PAN = 1.76° - PAN FINE = 0.007°
 - TILT = 0.98° - TILT FINE = 0.004°
- Automatic repositioning of PAN and TILT after accidental movement not controlled by control unit.
- PAN and TILT lock on 4 and 5 positions respectively.

Dimensions (mm / inches) and Weight



Cooling

Forced ventilation with axial fans.

Safety devices

- Bipolar circuit breaker with thermal protection.
- Automatic break in power supply in case of overheating.

Recommended working position

Functions in any position.

CE marking

In conformity with the European Union Low Voltage Directive 73/23 and Electromagnetic Compatibility Directive 89/336.

Accessories

Code 183102/801

Omega for Clamps fixing - supplied (2 pieces)



Code C52175

Clamps (hooks for truss) - not included



Code 105041/003

Safety cable (not included)



Sales Codes

C 61074 ALPHA WASH EASY 1200

F 21170 Foam shell

F 21162 Flight case for 2 projectors (including 2 foam shells)

CHANNELS

	Standard	16 bit	Extended
Channel 1	Cyan	Cyan	Cyan
Channel 2	Magenta	Magenta	Magenta
Channel 3	Yellow	Yellow	Yellow
Channel 4	CTO	CTO	CTO
Channel 5	Stob / Strobe	Stob / Strobe	Stob / Strobe
Channel 6	Dimmer	Dimmer	Dimmer
Channel 7	Frost Filters	Frost Filters	Frost Filters
Channel 8	Ovalizer	Ovalizer	Ovalizer
Channel 9	Pan	Pan	Pan
Channel 10	Tilt	Tilt	Pan fine
Channel 11	Reset	Reset	Tilt
Channel 12	Lamp on/off	Lamp on/off	Tilt fine
Channel 13		Pan fine	Reset
Channel 14		Tilt fine	Lamp on/off

