

# ALPHA WASH TH



The Alpha Wash TH is a washlight resulting from the experience of the Alpha Wash 575W, compared to which it offers two extra valuable features: the "Top Hat" for perfect control of the light beam and an indexable ovalizer.

It will be easy to play with color using this washlight, also thanks to the Color Mixing CMY, color wheel, linear CTO, linear frost, dimmer and stop/strobe effect.

Very bright, with a zoom of 4° - 50°, lightweight, silent and practical, Alpha Wash TH is suitable for all professional and entertainment environments.



PRELIMINARY EDITION



PROFESSIONAL SHOW LIGHTING

## Product features

### Lamp

575 W metal iodide lamp.

- Cap: G 22.
- Color temperature: 6,000 K.
- Luminous flux: 49,000 lm.
- Average life: 1,000 h.
- Hot lamp restrrike.

### Optics

- Exceptionally reliable 575 W discharge lamp.
- New optical unit with optimal luminous efficiency.
- 4° - 50° electronic linear zoom.
- Fresnel Lens: diameter 200 mm, focal length 140 mm.
- *Top Hat* for a perfect control beam.

### Colors and Effects

- CMY color mixing.
- Wheel fitted out for 4 colors, 2 of which (Congo Blue and Saturated Red) are supplied.
- Linear CTO.
- Linear Frost.
- Indexable Ovalizer with max aperture >80°.
- A state - of - the - art 0-100 % dimmer.
- Stop/strobe effect.

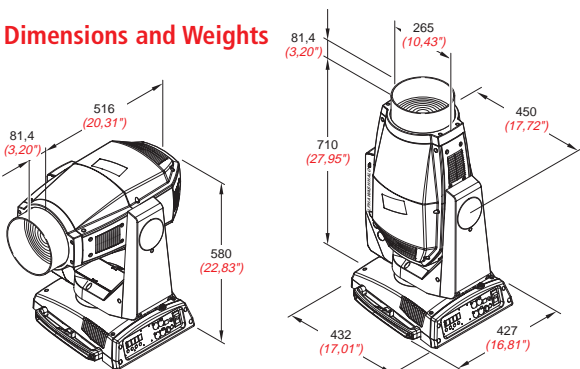
### Standard Color Filters (Ø 57 mm)



### Electronics and other features

- Long life self-charging buffer battery.
- Pre-set macros.
- "ENERGY SAVING" function: with the stop or total dimmer effect on, consumption cut by 50%.
- 115/230V switchable power supply.
- ON/OFF lamp control from the lighting desk.
- Function reset from the lighting desk.
- "HELP" function in the menu.
- "MEMO" function.
- "AUTOTEST" function.
- Possibility to upgrade the software through the DMX 512 input.
- Ethernet connection.
- Electronic control on each parameter.
- DMX level monitoring on each channel.
- Feedback information for each sensor and encoder.
- Electronic repositioning of the effects.

### Dimensions and Weights



**27 kg 59 lbs 6 ozs**

ALPHA WASH TH: dimensions (mm/inches).

## Technical data

### Power supplies

• 200 - 240 V 50/60 Hz • 100 - 120 V 50/60 Hz  
The power supply can be changed over with the built-in selector.

**Input power:** 850 VA at 230 V 50 Hz  
(PFC Electronic Ballast).

**Input:** DMX 512.

### Body

- Aluminium structure with die-cast plastic cover.
- Two side handles for transportation.
- Device locking PAN and TILT mechanisms for transportation and maintenance.

### Moving body

- Angle:
  - PAN = 450° - TILT = 252°
- Maximum speeds:
  - PAN = 4.0 sec. (360°) - TILT = 3.2 sec. (252°)
- Resolution:
  - PAN = 1.76° - PAN FIN = 0.007°
  - TILT = 0.98° - TILT FIN = 0.004°
- Automatic repositioning of PAN and TILT after accidental movement not controlled by control unit.
- PAN and TILT lock on 4 and 5 positions respectively.

### Cooling

Forced ventilation with axial fans.

### Safety devices

- Bipolar circuit breaker with thermal protection.
- Automatic break in power supply in case of overheating.

### Recommended working position

Functions in any position.

### CE marking

In conformity with the European Union Low Voltage Directive 73/23 and Electromagnetic Compatibility Directive 89/336.

### Accessories

#### Code 183102/801

Omega for Clamps fixing - supplied (2 pieces)



#### Code C52175

Clamps (hooks for truss) - not included



#### Code 105041/003

Safety cable - not included



### Optional Color Filters (Ø 57 mm)

|            |               |
|------------|---------------|
| 080399/101 | Light Blue    |
| 080399/102 | Yellow        |
| 080399/103 | Green         |
| 080399/104 | Violet        |
| 080399/105 | Red           |
| 080399/106 | Pink          |
| 080399/107 | Orange        |
| 080399/110 | Azure         |
| 080399/111 | Dark Blue     |
| 080399/112 | Medium Blue   |
| 080399/113 | Dark Amber    |
| 080399/114 | Dark Green    |
| 080399/115 | Light Green   |
| 080399/116 | Turquoise     |
| 080399/117 | Primary Red   |
| 080399/119 | Light Orange  |
| 080399/120 | CTO           |
| 080399/121 | CTB           |
| 080399/123 | Magenta       |
| 080399/124 | Deed Red      |
| 080399/125 | UV light      |
| 080399/130 | Congo Blue    |
| 080399/131 | Saturated Red |

### Channels (Extended mode)

|            |               |
|------------|---------------|
| Channel 1  | Cyan          |
| Channel 2  | Magenta       |
| Channel 3  | Yellow        |
| Channel 4  | Linear CTO    |
| Channel 5  | Color Wheel   |
| Channel 6  | Stop/Strobe   |
| Channel 7  | Dimmer        |
| Channel 8  | Linear Frost  |
| Channel 9  | Ovalizer      |
| Channel 10 | Zoom          |
| Channel 11 | Pan           |
| Channel 12 | Pan fine      |
| Channel 13 | Tilt          |
| Channel 14 | Tilt fine     |
| Channel 15 | Reset         |
| Channel 16 | Lamp ON - OFF |

### Sales codes

|         |  |
|---------|--|
| C 61080 | ALPHA WASH TH  |
| L 10074 | HMI 575 W/SEL lamp                                     |
| L 10075 | MSR 575 W/HR lamp                                      |
| F21165  | Foam Shell   |
| F21160  | Flight case for 2 projectors (including 2 foam shells) |

CLAY PAKY S.p.A.  
Via Pastrengo, 3/b - 24068 Seriate (BG) Italy  
Tel. +39 - 035 - 65 43 11 - Fax +39 - 035 - 301876  
cp.sales@claypaky.it - [www.claypaky.it](http://www.claypaky.it)



PROFESSIONAL SHOW LIGHTING