

ALPHA WASH HALO 1200



Alpha Wash Halo 1200 combines characteristics of extraordinary brightness with the versatility of a 1200W, 80V (3300 k) halogen lamp, suitable to any supply voltage that may be required. It features a Linear Zoom 14°-64°, CMY color mixing, linear frost, electronic dimmer, indexable ovalizer, motorized Top Hat.

It is addressed to the most professional lighting sectors, which can simultaneously exploit a high quality projector and the typical advantages of the halogen lamp: smooth, uniform field, warm color tones and gradual dimming.



PROFESSIONAL SHOW LIGHTING

PRODUCT FEATURES

Lamp

1200 W, 80V Philips Halogen Lamp.

- Type: 7009Z.
- Average life: 300 h.
- Color Temperature: 3,300 K.
- Cap: G22.
- Luminous flux: 37,500 lm.

Note: the lamp is suitable to any supply voltage that may be required.

Optics

- New optical unit with optimal luminous efficiency.
- 14° - 64° Electronic Linear Zoom.
- Fresnel Lens: diameter 200 mm, focal length 140 mm.
- *Top Hat* for a perfect beam control.

Colors and effects

- CMY Color Mixing.
- Frost with linear variation.
- Indexable Ovalizer.
- 0 - 100 % Electronic Dimmer with an extremely gradual dimming and uniform color temperature field.
- Stop / strobe effect.

Electronics and other features

- Long life self - charging buffer battery.
- Pre - set macros.
- "ENERGY SAVING" function: with the stop or with all the CMY filters full (black), consumption cut by 50 %.
- 115/230V switchable power supply.
- ON/OFF lamp control from the lighting desk.
- Function reset from the lighting desk.
- "HELP" function in the menu.
- "MEMO" function.
- "AUTOTEST" function.
- Possibility to upgrade the software through the DMX 512 input.
- Ethernet connection.
- Electronic check-up on each parameter.
- DMX level monitoring on each channel.
- Feedback information for each sensor and encoder.
- Electronic repositioning of the effects.

Accessories

Code 183102 / 801

Omega for Clamps fixing - supplied (2 pieces)



Code C52175

Clamps (hooks for truss) - not included

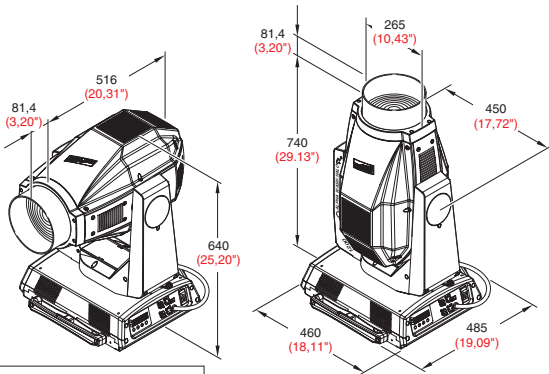


Code 105041 / 003

Safety cable - not included



Dimensions (mm/inches) and weight



29 kg (63lbs 13oz)

CLAY PAKY S.p.A.

Via Pastrengo, 3/b - 24068 Seriate (BG) Italy
 Tel. + 39 - 035 - 654311 - Fax + 39 - 035 - 301876
 cp.sales@claypaky.it - www.claypaky.it



PROFESSIONAL SHOW LIGHTING

TECHNICAL DATA

Power supplies: • 200 - 240 V 50/60Hz • 100 - 120 V 50/60Hz

The power supply can be changed over with the built-in selector.

Input power: 1.350VA at 230V 50Hz.

Input: DMX 512.

Body

- Aluminium structure with die - cast plastic cover.
- Two side handles for transportation.

Moving body

- Angle: - PAN = 450° - TILT = 252°
- Maximum speeds: - PAN = 4.0 sec. (360°) - TILT = 3.2 sec. (252°)
- Resolution: - PAN = 1.76° - PAN FIN = 0.007°
 - TILT = 0.98° - TILT FIN = 0.004°
- Automatic repositioning of PAN and TILT after accidental movement not controlled by control unit.
- PAN and TILT lock on 4 and 5 positions respectively.

Cooling: Forced ventilation with axial fans.

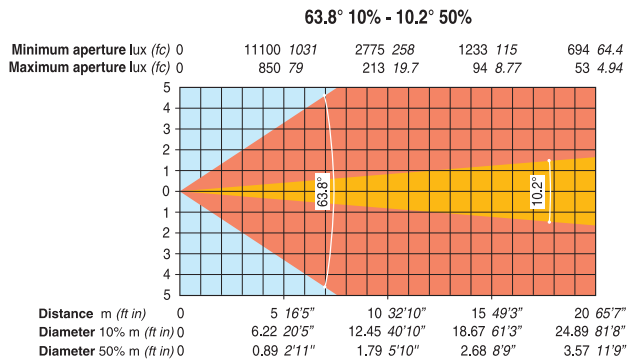
Safety devices

- Bipolar circuit breaker with thermal protection.
- Automatic break in power supply in case of overheating.

Recommended working position: Functions in any position

CE marking

In conformity with the European Union Low Voltage Directive 73/23 and Electromagnetic Compatibility Directive 89/336.



Channels

	Standard	16 bit mode	Extended Mode
Channel 1	Cyan	Cyan	Cyan
Channel 2	Magenta	Magenta	Magenta
Channel 3	Yellow	Yellow	Yellow
Channel 4	Stop/Strobe	Stop/Strobe	Stop/Strobe
Channel 5	Dimmer	Dimmer	Dimmer
Channel 6	Frost	Frost	Frost
Channel 7	Ovalizer	Ovalizer	Ovalizer
Channel 8	Zoom	Zoom	Zoom
Channel 9	Pan	Pan	Pan
Channel 10	Tilt	Tilt	Pan fine
Channel 11	Reset	Reset	Tilt
Channel 12		Pan fine	Tilt fine
Channel 13		Tilt fine	Reset

Sales codes

C61078	ALPHA WASH HALO 1200
L10084	1200 W/80V Philips Halogen lamp
F21170	Foam Shell
F21162	Flight case for 2 projectors (including 2 foam shells)