

IGLOO

IGLOO WL (with W-DMX)
 IGLOO EASY (without W-DMX)
 IGLOO ECO



Whenever moving lights are installed outdoors – either permanently for architectural applications or during temporary events and festivals – protecting such sensitive equipment against the elements becomes essential. The Igloo was created by Clay Paky for exactly this purpose – a tough, sturdy enclosure that offers complete protection against rain and humidity, and maintains a perfect working temperature (between 0°C and 35°C) for fixtures even in hot or sub-zero conditions. The Igloo is great for permanent installations and is an indispensable tool for rental companies who want to protect their stock of lighting during outdoor events and festivals. Above all, the Igloo is quick to install, simple to use and competitively priced.

The IGLOO WL comes with a built-in wireless transmitter/receiver, which is especially useful when the light is fitted some distance away. With the IGLOO EASY and IGLOO ECO, you may simply connect the lighting system DMX cable to the IN/OUT sockets found in the base.

In the case of the IGLOO WL and IGLOO EASY, the air inside the dome is conditioned by a self-adjusting heating and cooling system. It works fully automatically and is activated by built-in heat sensors. The inside temperature is always kept above zero and below 35°C.

- Base: ABS and stainless steel
- Cover: fully transparent dome, in injection molded polycarbonate, UV protected
- Transparency: gobos projection with no image distortion
- Enclosure protection grade: IP54
- Electrical inlets (all with waterproof glands and 1.5 m power cable): n.1 in the W-DMX version; n.2 in the Easy version
- Fixture internal power connection: with integrated Powercon plug
- DMX512 control: built-in receiver (and transmitter) in the W-DMX version; DMX in/out wires in the Easy Version
- DMX512 connectors: in/out connectors with cable glands available in both versions; the Easy version has pre-mounted DMX cables (1.5 m)
- Cooling: sensor-controlled fan system, maintaining internal temperature < 35°C
- Heating: sensor-controlled heater, maintaining internal temperature above 0°C
- Working position: any (including base-up installation)
- Fixture mounting: multiple internal fixing positions, matching diverse fixture sizes
- Ventilation: adjustable hoses with automatic position detection and alarm
- Ground positioning: 4 adjustable feet for perfect horizontal levelling
- Transport: 4 built-in carrying handles
- Packaging: carton box or flight-case (optional)

Igloo models are suitable for the following luminaires (or equivalent in size and consumption):

- Clay Paky Mythos / Supersharpy (max. ambient temperature: +25°C / +77°F)
- Clay Paky A.leda B-EYE series / A.leda Wash series (all models)
- Clay Paky Sharpy and Sharpy Wash
- Clay Paky Alpha 700 series
- Clay Paky Alpha 300 series



DETAILS

POWER SUPPLIES AVAILABLE

100-120V 50/60Hz
 200-240V 50/60Hz

INPUT POWER

150VA at 230V 50Hz (Igloo)
 Max 1200VA at 230V 50Hz (luminaire)

INPUT

DMX 512 / wireless (IGLOO WL)
 DMX 512 (IGLOO EASY, IGLOO ECO)

IP54 PROTECTION RATING

Protected against dust
 Protected against splashing

SAFETY DEVICES

Two 2AT fuses.
 The projector placed in the igloo is also equipped with safety devices (see dedicated manual)

COOLING

Forced ventilation with fans

ANTI-CONDENSATION SYSTEM

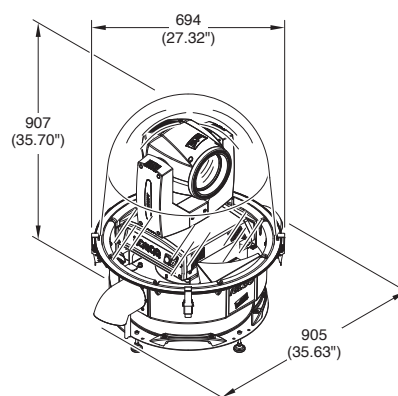
Pair of RTDs

BODY

Stainless steel structure with plastic pressure casting covers
 Four side handles for transportation

WORKING POSITION

Working in any position (special mounting Kit C61193 required for horizontal position)



 30 kg (66 lbs)