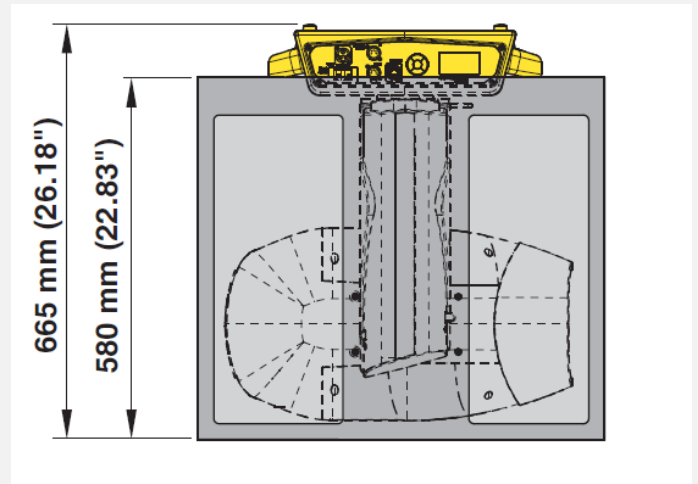
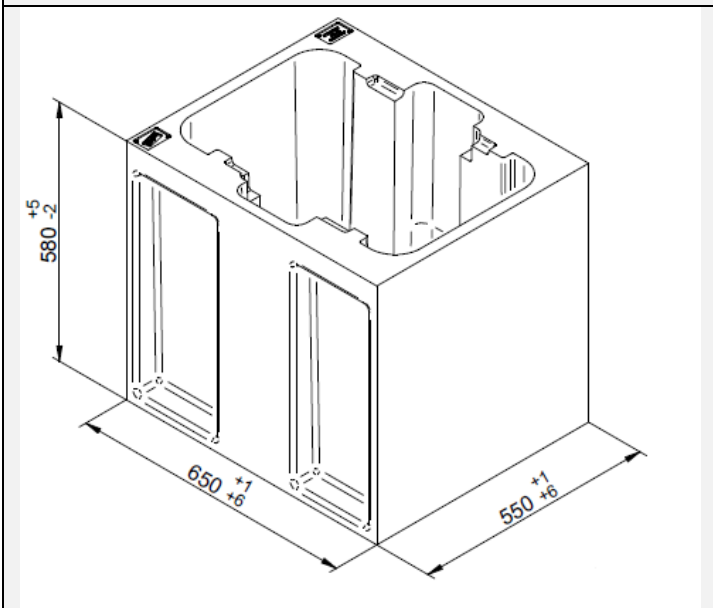
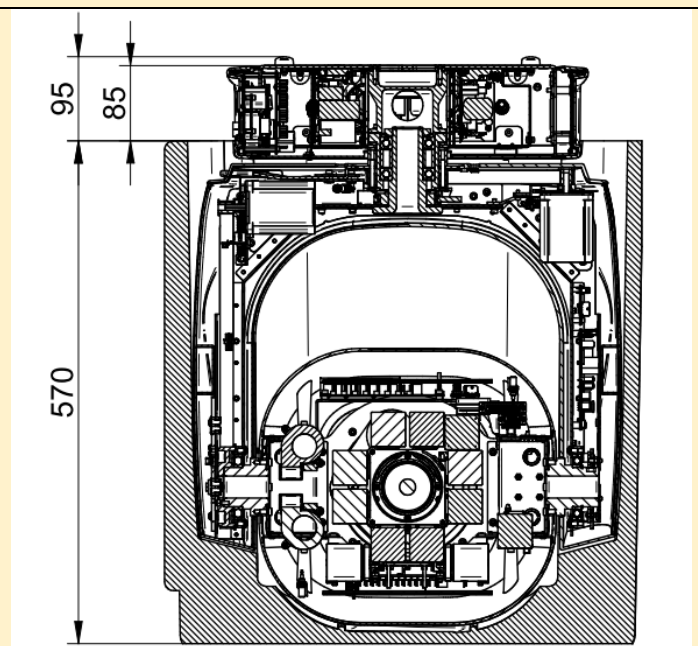
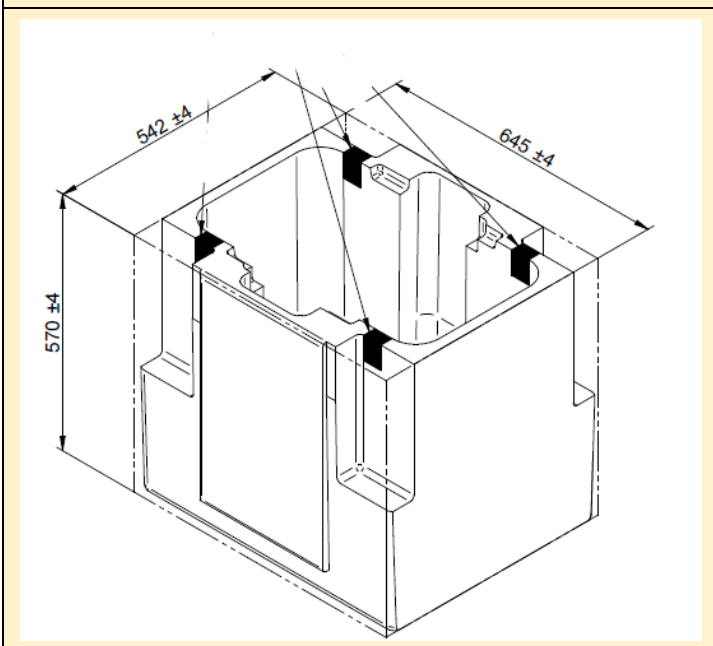


Foam Shell part number	Material	Fixture
F21267	PU	Scenius Spot / Scenius Profile
F21275/002	EPP	Scenius Spot / Scenius Profile
F21284	PU	Scenius Spot / Scenius Profile / Scenius Unico
F21277/001 (default)	EPP	Scenius Spot / Scenius Profile / Scenius Unico

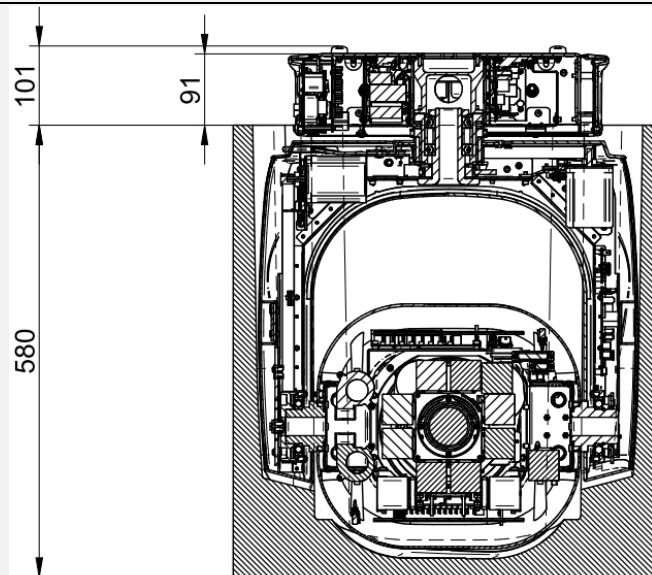
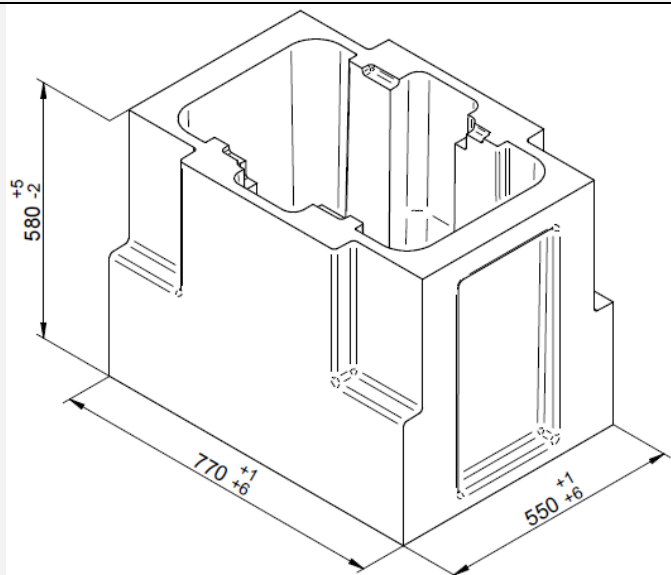
### F21267 Foam Shell dimensions - Scenius Spot / Scenius Profile



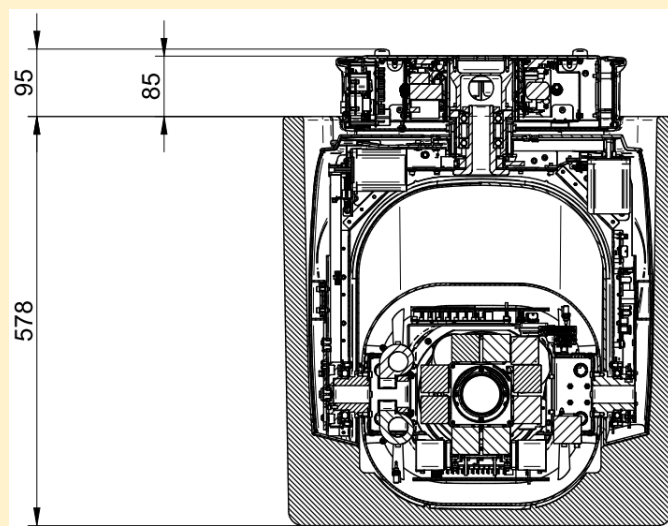
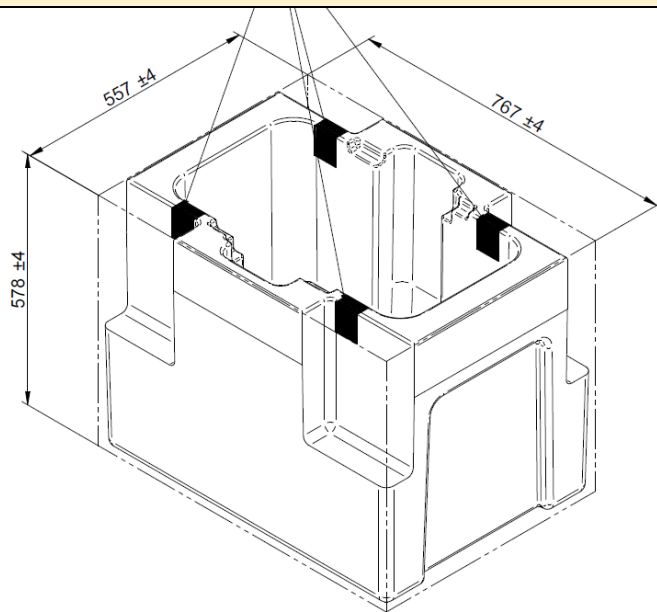
### F21275/002 Foam Shell dimensions - Scenius Spot / Scenius Profile



**F21284 Foam Shell dimensions - Scenius Spot / Scenius Profile / Scenius Unico**



**F21277/001 (default) Foam Shell dimensions - Scenius Spot / Scenius Profile / Scenius Unico**



CP flight case dimensions and part numbers  
F21279 - Flight Case x 2 Scenius series (using F21277/001)

3

