

## CHANNEL FUNCTION

### SHARPY WASH 330

NB: To prevent accidental breakage of the effects, which could collide with each other during transport, before switching the projector OFF check that all the projector Channels have been excluded (DMX level = 0 bit).

CHANNEL	DMX Modality	
	STANDARD	VECTOR
1	CYAN	CYAN
2	MAGENTA	MAGENTA
3	YELLOW	YELLOW
4	COLOUR WHEEL	COLOUR WHEEL
5	STOP / STROBE	STOP / STROBE
6	DIMMER	DIMMER
7	DIMMER FINE	DIMMER FINE
8	BEAM SHAPER INSERTION	BEAM SHAPER INSERTION
9	BEAM SHAPER ROTATION	BEAM SHAPER ROTATION
10	HEAVY FROST	HEAVY FROST
11	LIGHT FROST	LIGHT FROST
12	ZOOM	ZOOM
13	PAN	PAN
14	PAN FINE	PAN FINE
15	TILT	TILT
16	TILT FINE	TILT FINE
17	FUNCTION	FUNCTION
18	RESET	RESET
19	LAMP ON/OFF	LAMP ON/OFF
20		PAN - TILT TIME
21		COLOUR TIME
22		BEAM TIM

**NOTE: On conclusion of resetting in case of absence of DMX signal, Pan & Tilt move to the "Home" position (Pan 128 bit - Tilt 128 bit) all the others channels stay at 0 bit.**

**• COLOUR MIXING - channel 1 - 2 - 3**

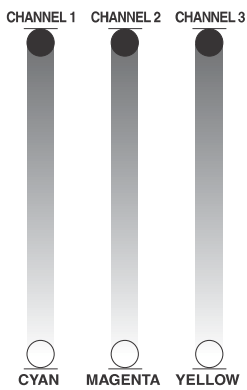
Operation with option color mixing: RGB



BIT	EFFECT
255	COLOUR EXCLUDED
0	COLOUR INSERTED

**IMPORTANT:** The lamp dim to half power 1 second after all the 3 channels stay at 0 bit level. The lamp goes back to full power when the channels level is put higher than 0 bit.

Operation with option color mixing: CMY



BIT	EFFECT
255	COLOUR INSERTED
0	COLOUR EXCLUDED

**IMPORTANT:** The lamp dim to half power 1 second after all the 3 channels stay at 255 bit level. The lamp goes back to full power when the channels level is put lower than 255 bit.

**• COLOUR WHEEL - channel 4**



BIT	EFFECT
255	FAST ROTATION (RIGHT DIRECTION)
193	SLOW ROTATION (RIGHT DIRECTION)
191-192	STOP ROTATION
190	SLOW ROTATION (LEFT DIRECTION)
128	FAST ROTATION (LEFT DIRECTION)
123	BLUE + WHITE
118	BLUE
112	HALF MINUS GREEN + BLUE
107	HALF MINUS GREEN
102	TC 190 + HALF MINUS GREEN
96	TC 190
91	TC 260 + TC 190
86	TC 260
80	UV FILTER + TC260
75	UV FILTER
70	PINK + UV FILTER
64	PINK
59	LIGHT GREEN + PINK
54	LIGHT GREEN
48	GREEN + LIGHT GREEN
43	GREEN
38	AQUAMARINE + GREEN
32	AQUAMARINE
27	ORANGE + AQUAMARINE
22	ORANGE
16	RED + ORANGE
11	RED
6	WHITE + RED
0	WHITE

**• STOP / STROBE - channel 5**



BIT	EFFECT
252 - 255	OPEN
239 - 251	RANDOM FAST STROBE
226 - 238	RANDOM MEDIUM STROBE
213 - 225	RANDOM SLOW STROBE
208 - 212	OPEN
207	FAST PULSATION
108	SLOW PULSATION
104 - 107	OPEN
103	FAST STROBE
4	SLOW STROBE
0 - 3	CLOSED

**• DIMMER - channel 6**



BIT	EFFECT
255	DIMMER OPEN
0	DIMMER CLOSED

**• DIMMER FINE - channel 7**



BIT	EFFECT
255	
0	

**• BEAM SHAPER INSERTION - channel 8**

BIT	EFFECT
255	
128	
127	
0	BEAM SHAPER EXCLUDED

• BEAM SHAPER ROTATION - channel 9



BIT	EFFECT
255	FAST ROTATION
193	SLOW ROTATION
191 - 192	STOP
190	SLOW ROTATION
128	FAST ROTATION
127	POSITION 540°
105	POSITION 450°
84	POSITION 360°
63	POSITION 270°
42	POSITION 180°
21	POSITION 90°
0	POSITION 0°

• HEAVY FROST - channel 10



BIT	EFFECT
255	FROST INSERTED
0	FROST EXCLUDED

• LIGHT FROST - channel 11



BIT	EFFECT
255	FROST INSERTED
0	FROST EXCLUDED

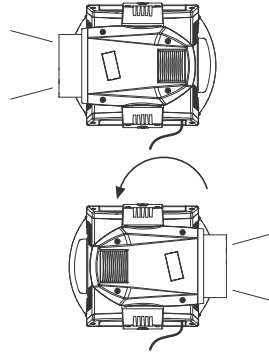
• ZOOM - channel 12



BIT	EFFECT
255	WIDE BEAM
0	NARROW BEAM

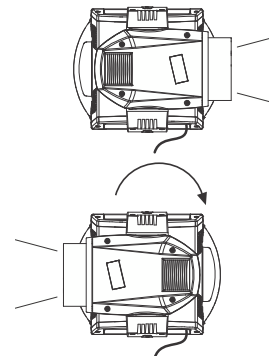
• PAN - channel 13

Operation with option InvertPan  $\diamond$  Off  
(Tilt conventionally represented at 35 bit and option Invert Tilt  $\diamond$  Off)



BIT
255
0

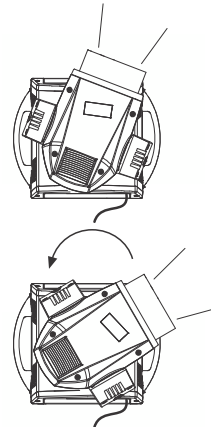
Operation with option InvertPan  $\diamond$  On  
(Tilt conventionally represented at 35 bit and option Invert Tilt  $\diamond$  Off)



BIT
255
0

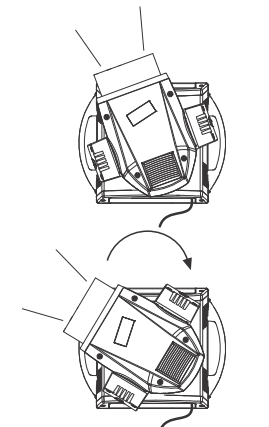
• PAN FINE - channel 14

Operation with option InvertPan  $\diamond$  Off  
(Tilt conventionally represented at 35 bit and option Invert Tilt  $\diamond$  Off)



BIT
255
0

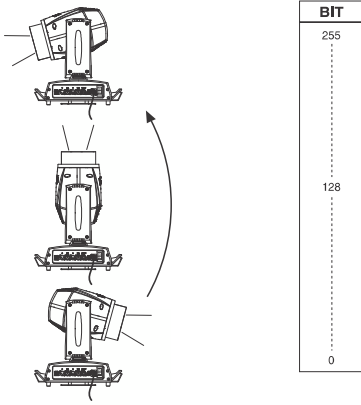
Operation with option InvertPan  $\diamond$  On  
(Tilt conventionally represented at 35 bit and option Invert Tilt  $\diamond$  Off)



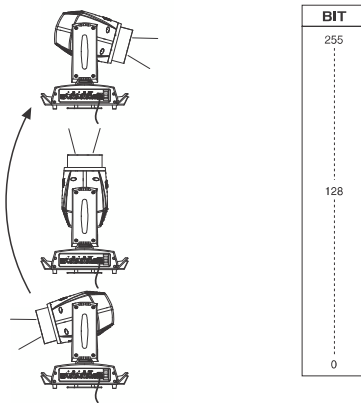
BIT
255
0

• **TILT - channel 15**

Operation with option Invert Tilt  $\diamond$  Off  
(Pan conventionally represented at 0 bit and option Invert Pan  $\diamond$  Off)

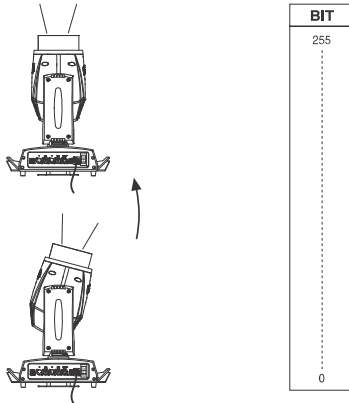


Operation with option Invert Tilt  $\diamond$  On  
(Pan conventionally represented at 0 bit and option Invert Pan  $\diamond$  Off)

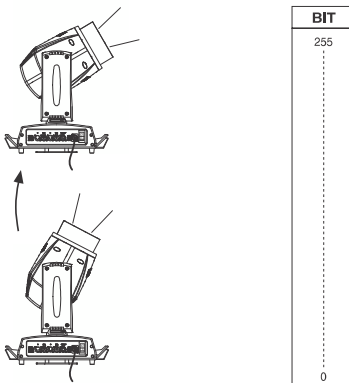


• **TILT FINE - channel 16**

Operation with option Invert Tilt  $\diamond$  Off  
(Pan conventionally represented at 0 bit and option Invert Pan  $\diamond$  Off)



Operation with option Invert Tilt  $\diamond$  On  
(Pan conventionally represented at 0 bit and option Invert Pan  $\diamond$  Off)



• **FUNCTION - channel: 17**

BIT	EFFECT
255	
...	
115	UNUSED RANGE
102-114	CMY shortcut OFF
88-101	CMY shortcut ON (default)
76-87	CMY Limited range
63-75	CMY Full range (Default)
51-62	LINEAR (Default)
38-50	CONVENTIONAL
25-37	NORMAL
12-24	FAST (Default)
0-11	UNUSED RANGE

The functions are activated passing through the unused range and staying 5 seconds in necessary level.

• **RESET - channel: 18**

BIT	EFFECT
255	COMPLETE RESET
...	
128	COMPLETE RESET
127	PAN / TILT RESET
...	
77	PAN / TILT RESET
76	EFFECTS RESET
...	
26	EFFECTS RESET
25	UNUSED RANGE
0	

The functions are activated passing through the unused range and staying 5 seconds in necessary level.

• **LAMP CONTROL (only with option LAMP DMX On) - channel: 19**

**IMPORTANT:** SHARPY is not provided with hot restrike ignition



BIT	EFFECT
255	LAMP ON
...	
101	LAMP ON
100	LAMP OFF
...	
26	LAMP OFF
25	UNUSED RANGE
0	

The functions are activated passing through the unused range and staying 5 seconds in necessary level.

## TIMING CHANNELS

	Timing Channel	Channel function
20	Pan - Tilt time	Pan - Tilt - (Pan fine - Tilt fine)
21	Colour time	Colour wheel - CTO
22	Beam time	Dimmer - Frost

## TIME TABLE

BIT	Seconds	BIT	Seconds	BIT	Seconds	BIT	Seconds	BIT	Seconds	BIT	Seconds
0	Full	43	8.6	86		129		172		216	
1	0.2	44	8.8	87	24	130	41	173	58	217	170
2	0.4	45	9	88		131		174		218	
3	0.6	46	9.2	89	25	132	42	175		219	180
4	0.8	47	9.4	90		133		176	59	220	
5	1	48	9.6	91	26	134	43	177		221	190
6	1.2	49	9.8	92		135		178	60	222	
7	1.4	50	10	93	27	136	44	179		223	200
8	1.6	51	10.2	94		137		180	65	224	200
9	1.8	52	10.4	95	28	138	45	181		225	
10	2	53	10.6	96		139		182	70	226	210
11	2.2	54	11	97	29	140	46	183		227	
12	2.4	55	12	98		141		184	75	228	210
13	2.6	56	13	99	30	142	47	185		229	220
14	2.8	57	14	100		143		186	80	230	220
15	3	58	15	101	31	144	48	187		231	
16	3.2	59	16	102		145		188	85	232	230
17	3.4	60	17	103	32	146	49	189		233	
18	3.6	61	18	104		147		190	90	234	240
19	3.8	62	19	105	33	148	50	191		235	240
20	4	63	20	106		149		192	95	236	
21	4.2	64	21	107	34	150	51	193		237	250
22	4.4	65	22	108		151		194	100	238	
23	4.6	66	23	109	35	152	52	195		239	260
24	4.8	67	24	110		153		196	110	240	260
25	5	68	25	111	36	154	53	197		241	
26	5.2	69	26	112		155		198	120	242	270
27	5.4	70	27	113	37	156	54	199		243	
28	5.6	71	28	114		157		200	130	244	280
29	5.8	72	29	115	38	158	55	201		245	
30	6	73	30	116		159		202	140	246	290
31	6.2	74	31	117	39	160	56	203		247	
32	6.4	75	32	118		161		204	150	248	290
33	6.6	76	33	119	40	162	57	205		249	300
34	6.8	77	34	120		163		206	160	250	300
35	7	78	35	121	41	164	58	207		251	
36	7.2	79	36	122		165		208	170	252	310
37	7.4	80	37	123	42	166	59	209		253	
38	7.6	81	38	124		167		210	180	254	310
39	7.8	82	39	125	43	168	60	211		255	Follow cue 01/13
40	8	83	40	126		169		212			
41	8.2	84	41	127	44	170	61	213			
42	8.4	85	42	128		171		214	190		
								215			